



Continuous Inkjet

# Videojet 1880 HR

Take quality to the next level with superior high-resolution micro-printing



# Ensure exceptional micro-coding

Built on the 1880 + platform and equipped with unique connectivity capabilities, the 1880 HR produces high-resolution characters at the smallest scale through optimized fonts, a redesigned printhead, and advanced hydraulics. With a sustainable, low-maintenance design, this printer has been engineered to meet your needs for 2D, QR, and track and trace coding. It was developed to ensure the most reliable and consistent codes for various applications, including electronics, pharmaceuticals, cosmetics, and confectionery.



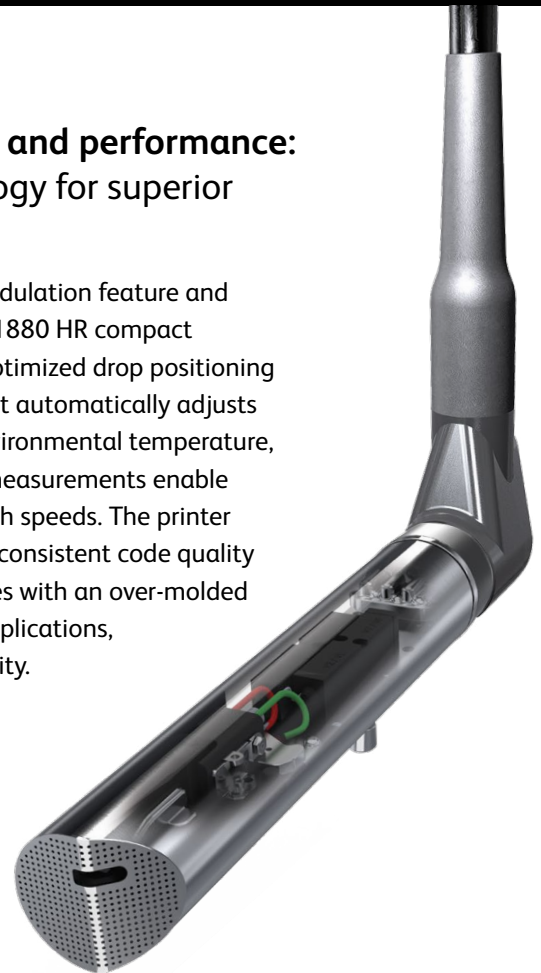
**HIGH  
RESOLUTION**

## High-resolution micro codes at optimum quality

The 1880 HR delivers remarkable code quality down to 1.2mm in height and at speeds up to 394 meters per minute. This model offers up to three lines of print and complex 2D codes – ideal for applications where legibility is critical and print space is limited. Combined with halogen-free electronics inks, the 1880 HR can help address industry regulatory standards.

## Unleash precision and performance: Advanced technology for superior print quality

With its updated auto-modulation feature and advanced hydraulics, the 1880 HR compact printhead design offers optimized drop positioning and superior jet stability. It automatically adjusts the ink stream per the environmental temperature, while real-time viscosity measurements enable precise drop control at high speeds. The printer helps ensure optimal and consistent code quality for each font. It also comes with an over-molded umbilical for traversing applications, delivering superior durability.



## Customized fonts for micro-coding

By refining the design of printed characters, print fonts have been improved, so that the 1880 HR maintains exceptional print quality, even for micro-codes. Specialized QR code fonts allow the 1880 HR to deliver crisp, clean codes for traceability.



**Videojet 1880 HR high-resolution inkjet code**



## Simplify routine maintenance: Planned annual module replacement in less than 5 minutes

With color-coded, easy-to-replace Videojet SmartCell™ components, the 1880 HR significantly minimizes maintenance downtime and offers optimal performance with long periods between interventions and fewer necessary touches.

## Maximize uptime: Proactive alerts, effortless cleaning, and fewer touches

An innovative sensor helps to enable printhead ink build-up detection, alerting users to potential print quality issues before they escalate. The convenient auto-rinse feature ensures a hassle-free, consistent, and efficient printhead cleaning process with a simple click. Say goodbye to ink build-up-related code clipping, as this innovative system virtually eliminates it. What's more, the printer boasts an upgraded hydraulic management system, an extended make-up tank, and the added flexibility of using larger, one-liter cartridges.

Cuts fluid  
changes by  
up to  
**33%**



**EtherNet/IP**  
ODVA

**PROFI**  
**NET**

## Leverage enhanced connectivity: Seamless integration and enhanced productivity

Designed to deliver all the connectivity you need, the 1880 HR intelligent I/O capabilities offer standard industrial protocols for seamless integration into your production systems. It also takes CIJ printing performance to a higher level with built-in Wi-Fi and cellular\* connectivity. It provides easy, secure wireless communications, enabling VideojetConnect™ Remote Service to automate troubleshooting, simplify remote operation, and improve overall printer and line productivity in real-time.

*\* Subject to availability in your country*



Pharma – paperboard



Electronics – plastic



Cosmetics – glass



Electronic components – plastic

# Videojet® 1880 HR

## Continuous Inkjet

### Line speed capability

Can print 1 to 3 lines of print at speeds of up to 1,294 ft/min (394 m/min)  
(10 characters per inch, single line of print)

### Font matrix configuration

Single-line: 4x5, 5x5, 4x7, 5x7, 7x9, 9x12, 10x16, 16x24  
Twin-line: 4x5, 5x5, 4x7, 5x7, 7x9  
Tri-line: 4x5, 5x5, 4x7, 5x7

### Linear bar codes

UPC A&E; EAN 8 & 13; Code 128 A, B & C; UCC/EAN 128;  
Code 39; Interleaved 2 of 5; GS1

### QR codes

21x21, 25x25  
Error correction mode L, M, Q or H

### DataMatrix codes

10x10, 12x12, 14x14, 16x16, 8x18, 18x18, 20x20, 22x22, 24x24, 12x26,  
8x32, 12x36, 16x36, 16x48

### Nominal character height

Selectable from 0.047" (1.2mm) to 0.236" (6mm), depending on font

### Throw distance

Optimal: 0.335" (8.5mm)  
Range: 0.197" (5mm) to 0.472" (12mm)

### User interface

10.4" high-response TFT-LCD touch screen  
WYSIWYG touch to edit message editing

### Custom logo/graphics

Can be created via optional CLARISOFT™ software\*

### Character sets

Chinese, Russian/Bulgarian, Turkish/Scandinavian, Romanian, Greek, Arabic,  
Japanese/Kanji, Hebrew, Korean, East European and European/American

### Languages and interface options

English, Arabic, Bulgarian, Czech, Danish, Dutch, Finnish, French, German, Greek,  
Hebrew, Hungarian, Italian, Japanese, Korean, Norwegian, Polish, Portuguese, Romanian,  
Russian, Serbian, Simple Chinese, Spanish, Swedish, Thai, Traditional Chinese, Turkish  
and Vietnamese

### Input/output

Product detect input; Encoder input; Beacon (Alarm light) output; Relay output;  
USB 2.0 (2x); Ethernet LAN™; Built-in Wi-Fi

### Message storage

More than 250 complex messages

### Environmental protection

IP55 standard, no plant air required, stainless steel cabinet  
IP66 protected electronics optional

\* CLARISOFT™ Package Coding Design software required for certain bar codes and other advanced functionality.

### Heated printhead

CleanFlow™ including positive air, no plant air required (optional)  
Diameter: 1.63" (41.3mm)  
Length: 10.62" (269.8mm)

### Printhead umbilical

Ultra flexible Length: 9.84' (3m) optional 19.69' (6m)  
Diameter: 0.91" (23mm)  
Bend radius: 4.0" (101.6mm)

### Make-up consumption

2.6ml per hour (MEK at 20°C)

### Fluids containers

Ink and Make-up Smart Cartridge™ 0.793 qt. (750ml); 1.06 qt. (1000ml)

### Temperature/humidity range

41°F to 113°F (5°C to 45°C)

0% to 90% RH non-condensing

*With selected inks; actual installation may require additional hardware based on production environment conditions*

### Electrical requirements

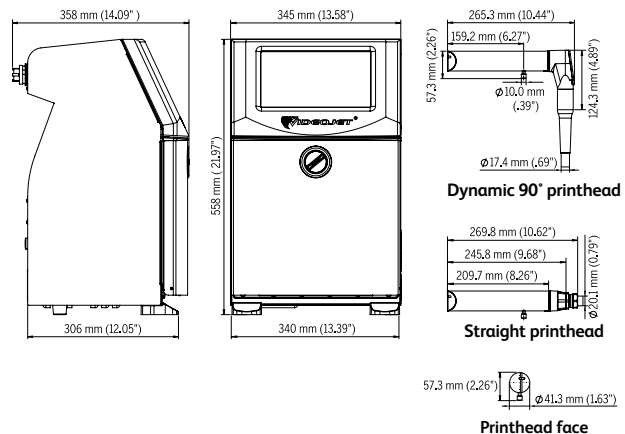
Nominal supply power 100-120 / 200-240 VAC at 50/60 Hz, 70W

### Approximate weight

Unpacked and dry: 46.3lbs. (21kg)

### Options

Dust protection kit with CleanFlow™ technology  
Dry air kit for high humidity (requires plant air)  
Cellular communication  
RS232 connector kit (USB to Serial DIN-5 male adapter)  
SIMPLICITY™ Workflow Modules  
Wide range of accessories



Call **+91 75063 45599**  
Email **marketing.india@videojet.com**  
or visit **www.videojet.in**

Videojet Technologies (India) Pvt. Ltd.  
Unit No. S-220 A, 2nd Floor,  
Eastern Business District,  
L B S Marg, Bhandup West,  
Mumbai - 400078,  
Maharashtra, India

© 2023 Videojet Technologies Inc. — All rights reserved.

Videojet Technologies Inc.'s policy is one of continued product improvement.  
We reserve the right to alter design and/or specifications without notice.

Part No. SL000726  
br-1880-hr-en-in-0923

